

DIAMOND<>FURR® Pat.

C.I. LATH ATTACHMENT SYSTEM

PRODUCT ID: DF-2375

FURRING STRIPS FOR 2" RIGID INSULATION

DESCRIPTION: The Diamond-Furr Continuous Insulation (CI) System *Furring Strips* are designed specifically for projects complying with the new energy code requirements when using 3-coat plaster over continuous rigid insulation. The *Furring Strips* reduce the number of fastener penetrations by 55% thereby reducing the potential for moisture intrusion while providing an uninterrupted 3/8" furring for metal lath.

The 18 gage CI System *Furring Strips* (pt # DF-2375) are installed directly over the moisture barrier or directly over the substrate when a liquid applied air/water barrier is used. The *Strips* are attached to vertical framing members using waferhead screws through the provided attachment holes. Metal lath is then secured to the 3/8" exposed *Furring Strips* using tie wire with a butterfly tie through the 5/16" holes located every 3-1/4" inches for convenience.

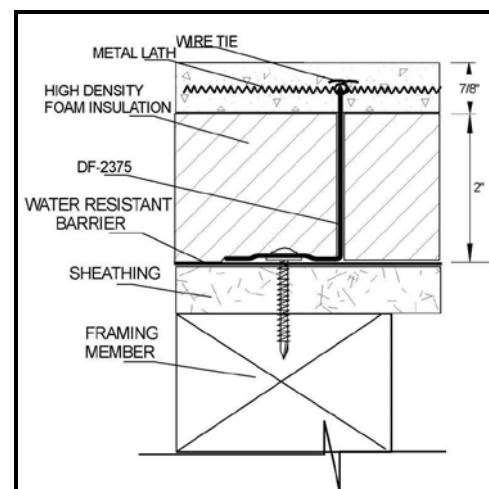
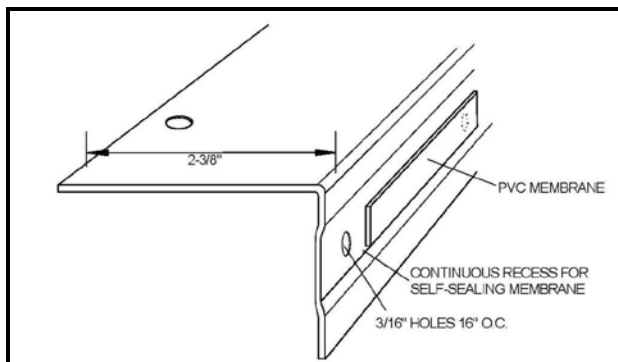
The Diamond-Furr *Strips* are intended to work in conjunction with the pat. pend. Diamond-Furr CI System *Termination Trims* which eliminate 100% of the fastener penetrations through the moisture barrier at critical termination points such as doors and windows.

Using the complete Diamond-Furr CI System will give your project the greatest available protection against moisture intrusion, superior lath embedment, minimized thermal bridging and significantly reduced exposure to moisture migration responsibility.

MATERIAL: 18 GA Galvanized Steel G60

ASTM: A653, LFQ, C1063, C841, C847, A653, C1047, A924, Fed. Spec QQ-S-775-D

ICC: ESR-3232



BRAND X METALS, INC.

1641 So. Sinclair Street ♦ Anaheim, CA 92806 ♦ PH: (714) 978-3600 ♦ FAX: (714) 978-3601

www.brandxmetals.com