

# DIAMOND<>FURR® Pat.

## C.I. LATH ATTACHMENT SYSTEM

**PRODUCT ID: DF-3375**

**FURRING STRIPS FOR 3" RIGID INSULATION**

**DESCRIPTION:** The Diamond-Furr Continuous Insulation (CI) System *Furring Strips* are designed specifically for projects complying with the new energy code requirements when using 3-coat plaster over continuous rigid insulation. The *Furring Strips* reduce the number of fastener penetrations by 55% thereby reducing the potential for moisture intrusion while providing an uninterrupted 3/8" furring for metal lath.

The 18 gauge CI System *Furring Strips* (pt # DF-3375) are installed directly over the moisture barrier or directly over the substrate when a liquid applied air/water barrier is used. The *Strips* are attached to vertical framing members using waferhead screws through the provided attachment holes. Metal lath is then secured to the 3/8" exposed *Furring Strips* using tie wire with a butterfly tie through the 5/16" holes located every 3-1/4" inches for convenience.

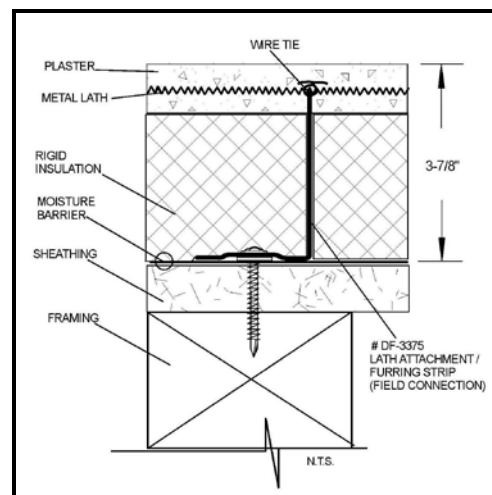
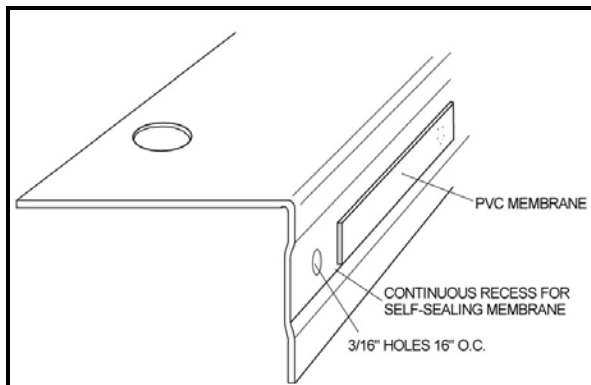
The Diamond-Furr *Strips* are intended to work in conjunction with the patented Diamond-Furr CI System *Termination Trims* which eliminate 100% of the fastener penetrations through the moisture barrier at critical termination points such as doors and windows.

Using the complete Diamond-Furr CI System will give your project the greatest available protection against moisture intrusion, superior lath embedment, minimized thermal bridging and significantly reduced exposure to moisture migration responsibility.

**MATERIAL:** 18 GA Galvanized Steel G60

**ASTM:** A653, LFQ, C1063, C841, C847, A653, C1047, A924, Fed. Spec QQ-S-775-D

**ICC:** ESR-3232



**BRAND X METALS, INC.**

**1641 So. Sinclair Street ♦ Anaheim, CA 92806 ♦ PH: (714) 978-3600 ♦ FAX: (714) 978-3601**

**www.brandxmetals.com**