

DIAMOND<>FURR® Patented

LATH ATTACHMENT SYSTEM

PRODUCT ID: DF-375

FURRING STRIPS

DESCRIPTION: Diamond-Furr *Furring Strips* have an ICC approval and patented design that offers the first real solution to the moisture intrusion problems that have plagued the plastering industry for decades.

The 18 gauge *Furring Strips* (pt # DF-375) are designed for standard 3-coat plaster. They are installed over the weather barrier or directly to the substrate when liquid applied air / water barriers are used. The *Strips* are attached to vertical framing members every 16" using waferhead screws and the metal lath is then secured to the *Furring Strips* using tie wire through the provided attachment holes.

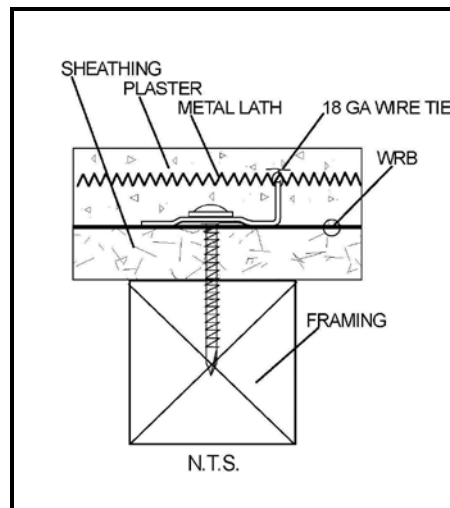
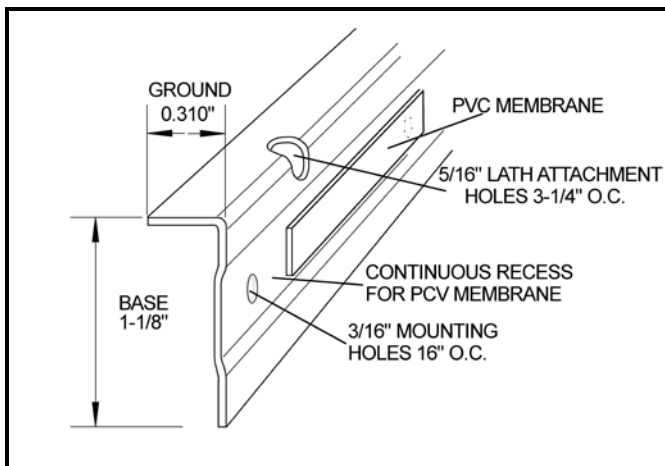
The result is a flexible connection which reduces cracking and effectively eliminates over 55% of the fastener penetrations through the weather barrier in the field and 100% elimination when a liquid barrier is applied! Diamond-Furr trims also provide uninterrupted 3/8" furring for superior lath embedment and completely remove the potential for torn weather barriers due to over tightened screws.

Diamond-Furr *Strips* works in conjunction with our patented Diamond-Furr *Termination Trims* which eliminate 100% of the fastener penetrations through the moisture barrier around critical areas such as doors and windows.

We recommend using the complete Diamond-Furr System for the greatest available protection against moisture intrusion and a significant reduction in liability exposure. Diamond-Furr is also available with a longer ground size to comply with the needs of the new energy code requirements.

MATERIAL: 18 GA Galvanized Steel G60

ASTM / ICC: A653, LFQ, C1063, C841, C847, A653, C1047, A924, Fed. Spec QQ-S-775-D ESR-3232



BRAND X METALS, INC.

1641 So. Sinclair Street ♦ Anaheim, CA 92806 ♦ PH: (714) 978-3600 ♦ FAX: (714) 978-3601

www.brandxmetals.com