

DIAMOND<>FURR® Pat.

C.I. LATH ATTACHMENT SYSTEM

PRODUCT ID: DFOC-2375

**O/S CORNER FURRING STRIP
FOR 2" RIGID INSULATION**

DESCRIPTION: The Diamond-Furr *Outside Corner Furring Strips* (pt # DFOC-2375) are intended for use on projects complying with the new energy code requirements when using 3-coat plaster over continuous rigid insulation.

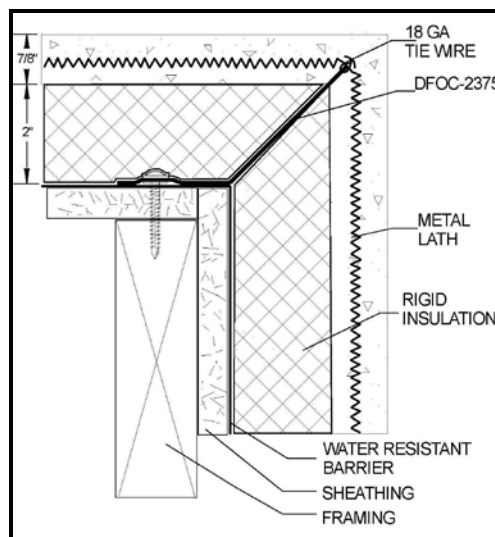
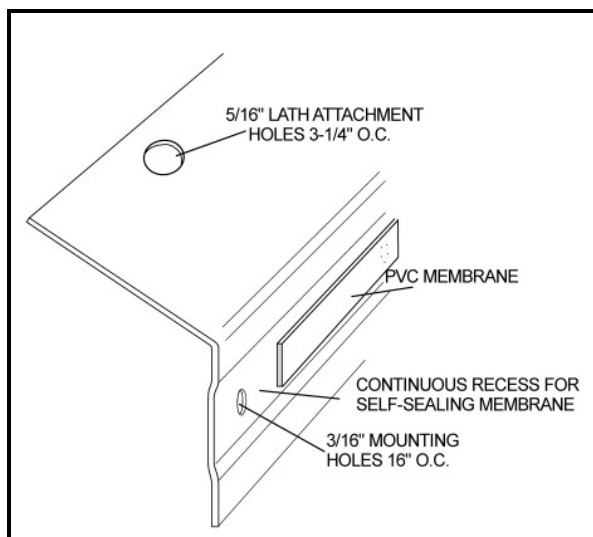
The 18 gauge *Corner Furring Strips* have a patent pending design that offers the first real solution to the moisture intrusion problems that have plagued the plastering industry for decades.

The CI System *Furring Strips* are secured every 16" to the corner framing directly over the weather barrier using waferhead screws. When used in conjunction with a fluid applied air/water barrier 100% of the lath attachment penetrations are eliminated Metal lath is attached using a butterfly tie through the provided 5/16" holes. This results in a flexible connection which reduces thermal bridging and the potential for cracking.

We recommend using the Outside Corner Furring Trims with the entire line of Diamond-Furr Trims for a complete system and the best possible protection against moisture intrusion, minimized thermal bridging, superior lath embedment and significantly reduced exposure to moisture migration responsibility.

MATERIAL: 18 GA Galvanized Steel G60

ASTM / ICC: A653, LFG, C1063, C841, C847, A653, C1047, A924, Fed. Spec QQ-S-775-D ESR-323



BRAND X METALS, INC.

1641 So. Sinclair Street ♦ Anaheim, CA 92806 ♦ PH: (714) 978-3600 ♦ FAX: (714) 978-3601

www.brandxmetals.com