

# DIAMOND<>FURR® Pat.

## LATH ATTACHMENT SYSTEM

**PRODUCT ID: DFOC-375**

**O/S CORNER FURRING STRIP**

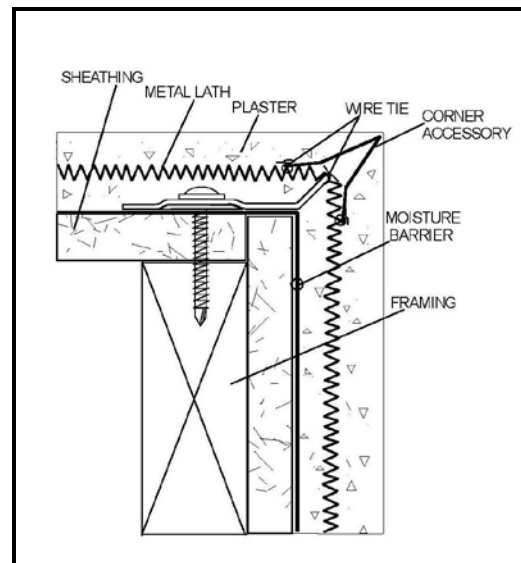
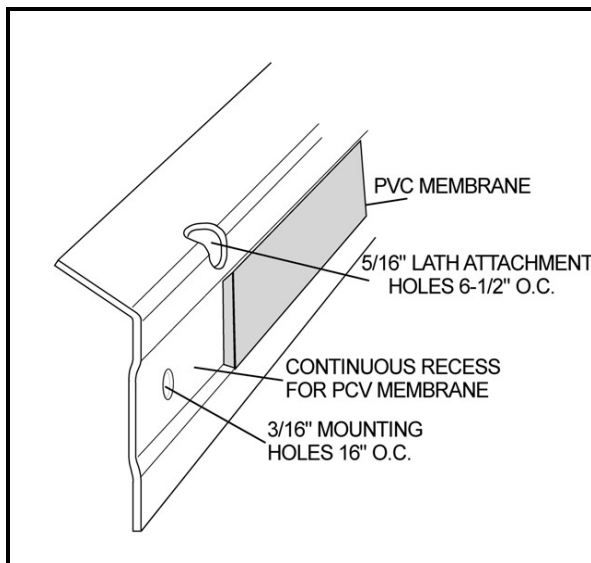
**DESCRIPTION:** The Diamond-Furr *Outside Corner Furring Strip* (pt# DFOC-375) has a patented design that offers the first real solution to the moisture intrusion problems that have plagued the plastering industry for decades. The 18 gauge *Corner Strips* are intended to work in conjunction with the ICC approved *Field Furring Strips* (pt # DF-375) in standard 3-coat plaster applications.

The *O/S Corner Strips* are installed over the weather barrier or directly to the substrate when fluid applied air / water barriers are used. The *Strips* are attached to vertical framing members every 16" using waferhead screws. Metal lath is then secured to the *Furring Strips* using tie wire through the provided attachment holes and finished with a butterfly tie. When used in conjunction with a fluid applied air/water barrier 100% of the lath attachment penetrations are eliminated.

For a complete system and the utmost protection against moisture migration the *Outside Corner Furring* and *Field Furring Strips* should be used with the Diamond-Furr Termination Trims which eliminate 100% of the fastener penetrations at the termination points.

**MATERIAL:** 18 GA Galvanized Steel G60

**ASTM / ICC:** A653, LFQ, C1063, C841, C847, A653, C1047, A924, Fed. Spec QQ-S-775-D ESR-323



**BRAND X METALS, INC.**

1641 So. Sinclair Street ♦ Anaheim, CA 92806 ♦ PH: (714) 978-3600 ♦ FAX: (714) 978-3601

[www.brandxmetals.com](http://www.brandxmetals.com)