

DIAMOND<>FURR® Pat.

C.I. LATH ATTACHMENT SYSTEM

PRODUCT ID: **DFR-15375**

**RESIDENTIAL WINDOW FLASHING
FOR 1.5" RIGID INSULATION**

DESCRIPTION: The Diamond-Furr Termination Trims for Continuous Insulation (CI) Systems are designed specifically to meet the requirements of the new energy codes when using 3-coat plaster over continuous rigid insulation. Diamond-Furr trims eliminate 100% of the fastener penetrations through the WRB around critical opening such as windows and doors while providing an uninterrupted 3/8" furring for a superior scratch coat.

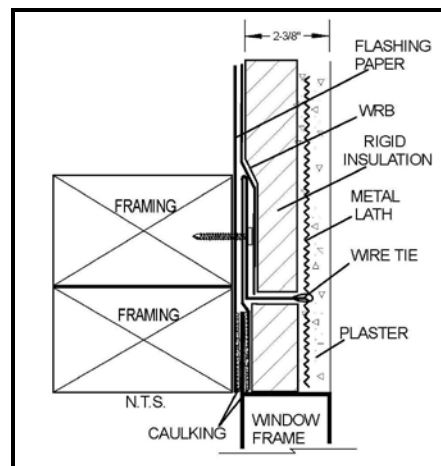
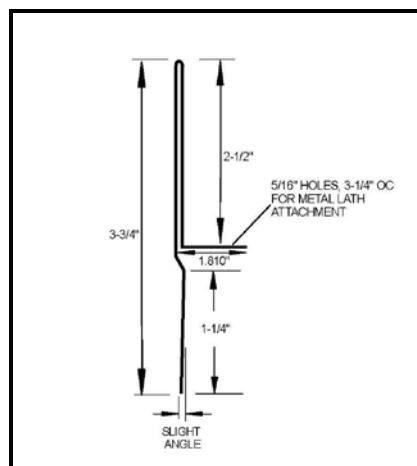
The CI System *Residential Window Flashing* (pt # DFRW-15375) is intended to be installed around windows manufactured with a plaster depth ground incorporated in the window design. Our patent pending design provides pre-tensioned metal flashing over the nailing flange of the windows and has a built-in furring strip which extends 3/8" above the rigid insulation. The furring strip allows for a flexible connection point for metal lath which is secured using tie wire and a butterfly tie. This method of attachment effectively eliminates 100% of the fastener penetrations through the moisture barrier in this critical area.

The *Residential Window Furring Trim* is also available with an optional plaster stop for specifications that require 1/4" expansion setback.

Our *Residential Window Flashing* works in conjunction with the Diamond-Furr CI System *Field Furring Strips* which reduce field penetrations by 55%. We recommend using the complete Diamond-Furr System for the best possible protection against moisture intrusion, superior lath embedment, minimal thermal bridging and significantly reduced exposure to moisture intrusion responsibility.

MATERIAL: 24 GA Galvanized Steel G90, Also available in Stainless Steel – Call for Details

ASTM: A653, LFQ, C1063, C841, C847, A653, C1047, A924, Fed. Spec QQ-S-775-D



BRAND X METALS, INC.

1641 So. Sinclair Street ♦ Anaheim, CA 92806 ♦ PH: (714) 978-3600 ♦ FAX: (714) 978-3601

www.brandxmetals.com