

DIAMOND<>FURR® Pat.

C.I. LATH ATTACHMENT SYSTEM

PRODUCT ID: **DFS-15375**

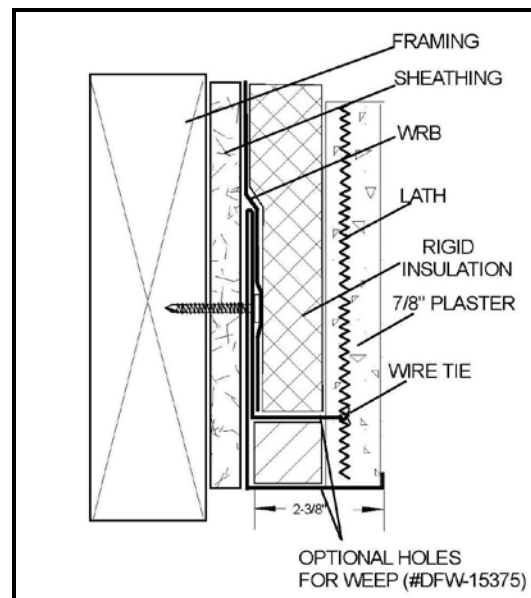
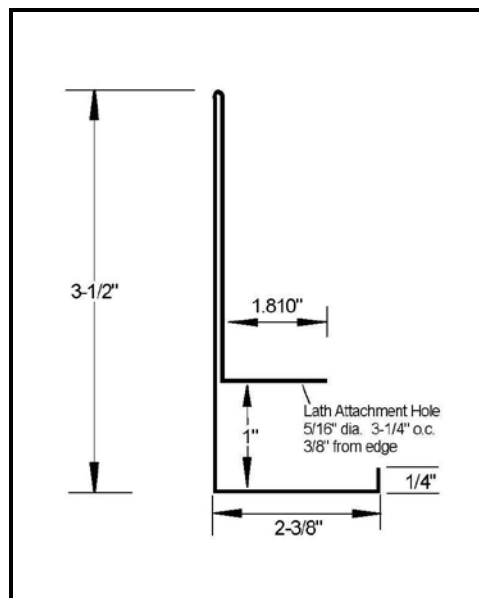
PLASTER STOP for 1.5" RIGID INSULATION

DESCRIPTION: The Diamond-Furr Termination Trims for Continuous Insulation (CI) Systems are designed specifically for projects using 3-coat plaster over rigid insulation in compliance with the new energy code criteria. Diamond-Furr termination trims eliminate 100% of the fastener penetrations through the WRB around critical opening such as windows and doors while providing an uninterrupted 3/8" furring for superior lath embedment.

The C.I. System *Plaster Stop* (pt # DFS-15375) is designed to be used at termination points such as doors and windows just like a conventional J-mold. The Diamond-Furr *Plaster Stop* has a built-in furring strip which extends 3/8" beyond the rigid insulation. This strip creates an uninterrupted 3/8" furring as well as a flexible connection point for metal lath. The Lath is secured using tie wire through the provided attachment holes and finished with a butterfly tie. Diamond-Furr Termination Trims effectively eliminate 100% of the fastener penetrations through the WRB at these critical points.

The Diamond-Furr *Plaster Stop* works in conjunction with the Diamond-Furr C.I. System *Furring Strips* which eliminate 55% penetrations through the moisture barrier in the field. We recommend using the complete Diamond-Furr C.I. System for the best possible protection against moisture intrusion, superior lath embedment, minimized thermal bridging and significantly reduced exposure to moisture intrusion liability.

MATERIAL: 24 GA Galvanized Steel G90, Also available in Stainless Steel – Call for Details
ASTM: A653, LFQ, C1063, C841, C847, A653, C1047, A924, Fed. Spec QQ-S-775-D



BRAND X METALS, INC.

1641 So. Sinclair Street ♦ Anaheim, CA 92806 ♦ PH: (714) 978-3600 ♦ FAX: (714) 978-3601

www.brandxmetals.com

DIAMOND<>FURR® Pat.

C.I. LATH ATTACHMENT SYSTEM

PRODUCT ID: DFW-15375

PLASTER WEEP for 1.5" RIGID

INSULATION

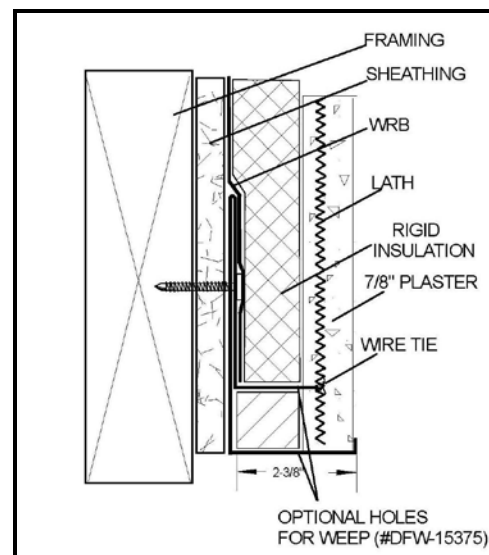
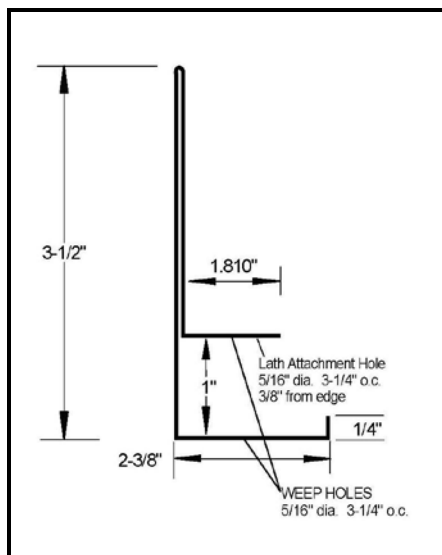
DESCRIPTION: The Diamond-Furr Termination Trims for Continuous Insulation (CI) Systems are designed specifically for projects using 3-coat plaster over rigid insulation in compliance with the new energy code requirements. Diamond-Furr trims eliminate 100% of the fastener penetrations through the WRB around critical opening such as windows and doors while providing an uninterrupted 3/8" furring for a superior scratch coat.

The CI System *Plaster Weep* (pt # DFW-1375) is intended to be used at termination points such as the base of walls and has the same dimensions as the CI System *Plaster Stop* with the addition of 5/16" Weep Holes 3-1/4" o.c. The *Plaster Weep* has a built-in furring strip that extends 3/8" beyond the rigid insulation to provide a flexible connection point when properly attached with 18 gage tie wire. Diamond-Furr trims effectively eliminate 100% of the fastener penetrations through the moisture barrier.

The Diamond-Furr *Plaster Weep* works in conjunction with the CI System *Furring Strips* which eliminate 55% of the field penetrations through the moisture barrier. We recommend using the complete Diamond-Furr CI System for the best possible protection against moisture intrusion, superior lath embedment, minimized thermal bridging and significantly reduced exposure to moisture intrusion liability.

MATERIAL: 24 GA Galvanized Steel G90, Also available in Stainless Steel – Call for Details

ASTM: A653, LFQ, C1063, C841, C847, A653, C1047, A924, Fed. Spec QQ-S-775-D



BRAND X METALS, INC.

1641 So. Sinclair Street ♦ Anaheim, CA 92806 ♦ PH: (714) 978-3600 ♦ FAX: (714) 978-3601

www.brandxmetals.com