

DIAMOND<>FURR® Pat.

C.I. LATH ATTACHMENT SYSTEM

PRODUCT ID: DFWD-1375

PLASTER DRIP FOR 1" RIGID INSULATION

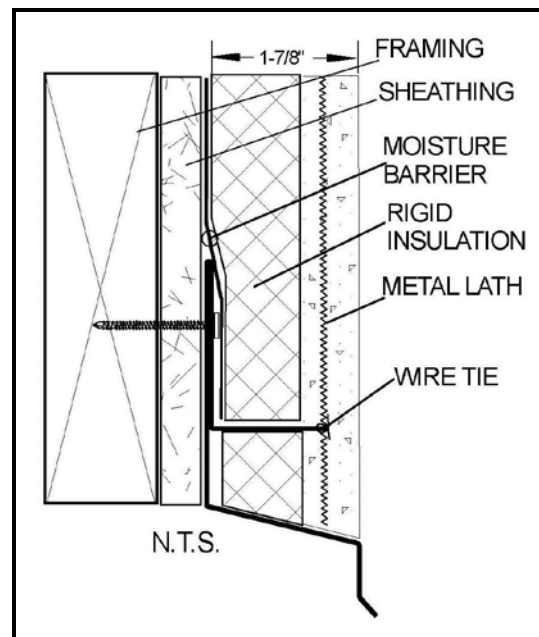
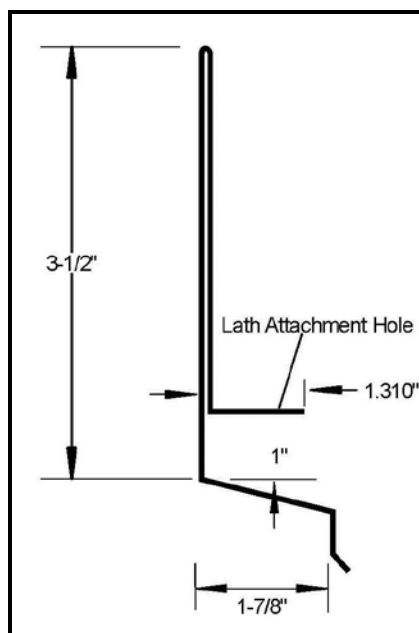
DESCRIPTION: The Diamond-Furr Continuous Insulation (CI) System Termination Trims are designed to be used on projects using 3-coat plaster over rigid insulation to meet the requirements of the new energy codes. Diamond-Furr Termination Trims eliminate 100% of the fastener penetrations around critical openings while providing an uninterrupted 3/8" furring.

The *Plaster Window Drip* (pt # DFWD-1375) is intended to be used at termination points above doors and windows similar to a standard drip edge. The Diamond-Furr difference is the built-in furring strip designed to extend 3/8" beyond the rigid insulation. The furring strip creates a flexible connection point for standard metal lath when properly attached using tie wire and completely eliminates the fastener penetrations through the rigid insulation and the WRB.

The Diamond-Furr *Window Drip* is designed to work in conjunction with Diamond-Furr's CI System *Furring Strips* (See: pt # DF-2375). We recommend using the complete Diamond-Furr System for the best possible protection against moisture intrusion, superior lath embedment, minimal thermal bridging and greatly reduced exposure to moisture migration responsibility.

MATERIAL: 24 GA Galvanized Steel G90, Also available in Stainless Steel – Call for Details

ASTM: A653, LFQ, C1063, C841, C847, A653, C1047, A924, Fed. Spec QQ-S-775-D



BRAND X METALS, INC.

1641 So. Sinclair Street ♦ Anaheim, CA 92806 ♦ PH: (714) 978-3600 ♦ FAX: (714) 978-3601

www.brandxmetals.com