



NARROW 'V' REVEAL

PRODUCT ID: **PCV 25**

DESCRIPTION: The Brand X Metals 1/4" 'V' Reveal replicate the appearance of the classic XJ-15 with the benefits and beauty of extruded aluminum.

MATERIAL: Aluminum Alloy 6063 T5 **ASTM:** B 221

THICKNESS: Nominal .050

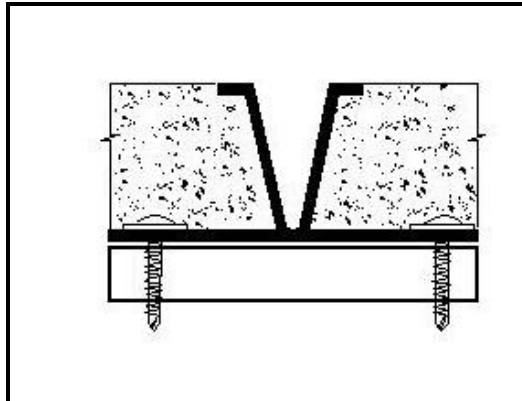
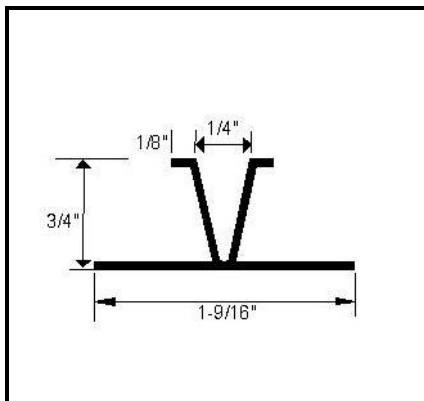
LENGTH: Standard: 10 ft.

FINISH: Standard - Clear Anodized (Architectural 200R1 med. Etch AAM32C10A21)
Also available:

- Alodine® or Chem-Film a.k.a. 'chemical conversion'
- Custom anodized finishes
- Kynar® fluoro-polymer extrusion coating

OPTIONS: **Intersections** – Mitered intersections are available in 3 and 4 way configurations as well as inside and outside corners

Radius – Channel screeds can be curved to meet your required job specifications



BRAND X METALS, INC.

1641 S. Sinclair St. ♦ Anaheim, CA 92806 ♦ PH: 714-978-3600 ♦ FAX: 714-978-3601

www.brandxmetals.com