

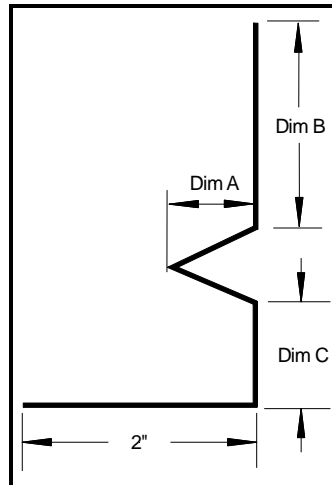


## DECK / PLASTER TRANSITION

a.k.a. 'DECK DIATO'

**PRODUCT ID: DPT**

Compare to: DKD



**DESCRIPTION:** Combination plaster stop and pan flashing at a wall/deck condition.

**MATERIAL /**

**THICKNESS:** 26 GA Galvanized Steel, .040" Aluminum and 26 GA Stainless Steel

**ASTM:** A653, LFQ, C1063, B209, B69

**LENGTH:** Standard: 10 ft.

**TO ORDER:** DETERMINE THE FOLLOWING:

- Ground Size (Dim A) and the Nail Flange (Dim B), (Dim. C)
- Type of Material: Galvanized Steel, Stainless Steel, Aluminum

**STANDARD SIZES:**

(DIM. A)	(DIM. B)	(DIM. C)
7/8"	1-1/2"	2"
	2"	3"
	2-1/2"	
	3"	

Custom sizes available

**BRAND X METALS, INC.**

1641 So. Sinclair St. ♦ Anaheim, CA 92806 ♦ PH: 714-978-3600 ♦ FAX: 714-978-3601

[www.brandxmetals.com](http://www.brandxmetals.com)