

# DIAMOND<>FURR® Pat.

## LATH ATTACHMENT SYSTEM

PRODUCT ID: **DFR-375**

**RESIDENTIAL WINDOW FLASHING**

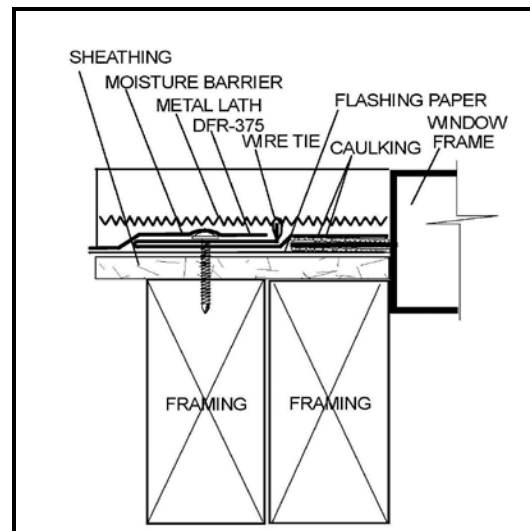
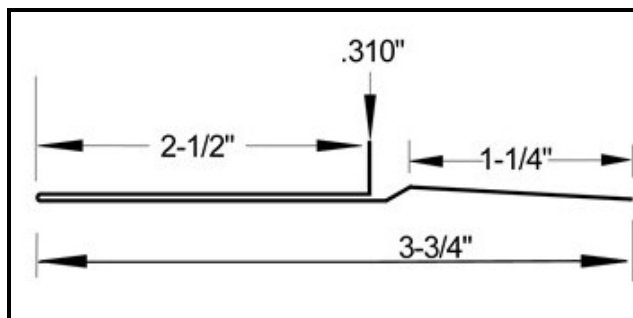
**DESCRIPTION:** The Diamond-Furr Residential Window Flashing is a unique design that offers the first real solution to the moisture intrusion problems that have plagued the plastering industry for decades.

Diamond-Furr's Residential Window Flashing/Furring Trim (pt# DFR-375) is designed to be installed around windows manufactured with a plaster depth ground incorporated into the window design. Our patent pending design provides pre-tensioned metal flashing over the nailing flange of the windows and has a built in furring strip. This strip creates a flexible connection point for metal lath and effectively eliminates 100% of moisture barrier penetrations caused by fasteners. It also means that the lath never comes in contact with the moisture barrier which removes the probability of accidental tears in the last line of defense by over tightened screws. The DFRW-375 is also available with a setback plaster stop to allow for 1/4" expansion as required by some window mfgs.

Another advantage of the Diamond-Furr *Window Flashing* is that it removes the need for additional petroleum based peel and stick moisture barrier products which then allows the plaster at the termination point to obtain the full 7/8" depth.

We recommend using the Diamond-Furr Termination Trims in conjunction with the ICC approved (ESR-3232) Diamond-Furr *Furring Strips* for a complete system and the best available protection against moisture intrusion.

**MATERIAL:** 26 GA Galvanized Steel G90, Also available in Stainless Steel – Call for Details  
**ASTM :** A653, LFQ, C1063, C841, C847, A653, C1047, A924, Fed. Spec QQ-S-775-D  
**LENGTH:** Standard: 10 ft.



**BRAND X METALS, INC.**

1641 So. Sinclair Street ♦ Anaheim, CA 92806 ♦ PH: (714) 978-3600 ♦ FAX: (714) 978-3601

[www.brandxmetals.com](http://www.brandxmetals.com)