



DRYWALL CORNER TRIM

PRODUCT ID: DCT and DCT 135

Compare to: DMCT

DESCRIPTION: Brand X Metals' 1-1/4" drywall corner trim is engineered for areas of high traffic. The heavy duty corner extends 1-1/4" in each direction to provide protection. The tapered nail flange allows for a clean finish edge. Our DCT corner trim also comes in a 135 degree open angle version.

MATERIAL: Aluminum Alloy 6063 T5

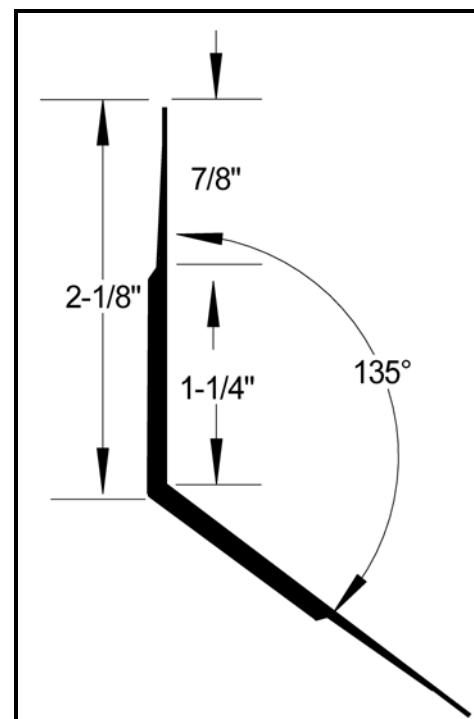
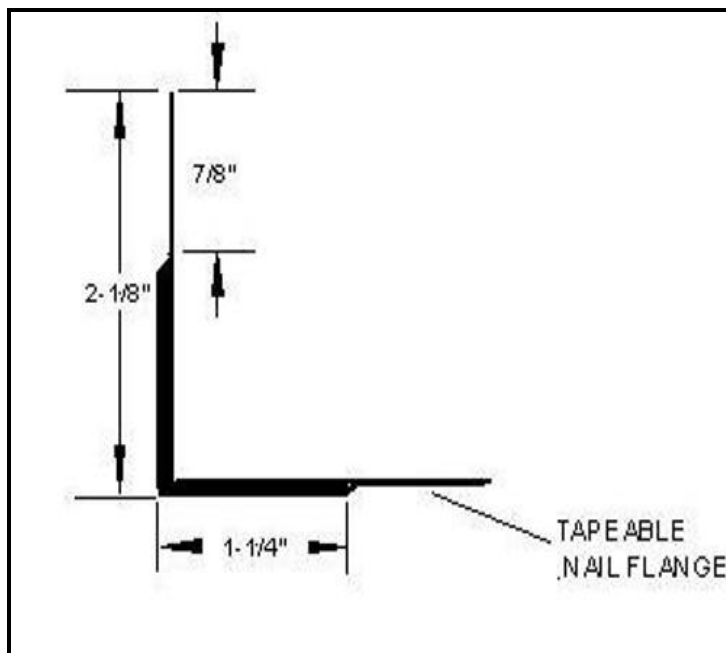
THICKNESS: Nominal .050 **ASTM:** B221

LENGTH: Standard: 10 ft.

FINISH: Standard - Clear Anodized (Architectural 200R1 Med. Etch AAM32C10A21)

Also available:

- Alodine® or Chem-Film a.k.a. 'chemical conversion'
- Custom anodized finishes
- Kynar® fluoro-polymer extrusion coating



1641 S. Sinclair St. ♦ Anaheim, CA 92806 ♦ PH: 714-978-3600 ♦ FAX: 714-978-3601

www.brandxmetals.com