



#6 DRIP HEAD FLASHING

PRODUCT ID: #6

Compare to: DHF

DESCRIPTION: The # 6 Drip Head Flashing is designed to to be used as a plaster stop while directing moisture away from plaster walls. Typical installation is above windows and doors.

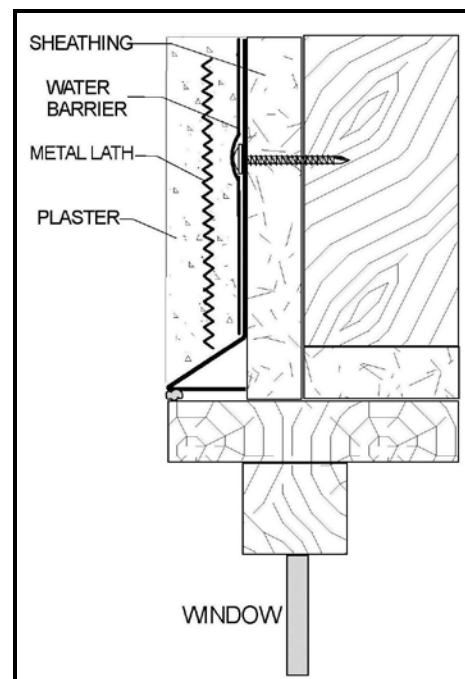
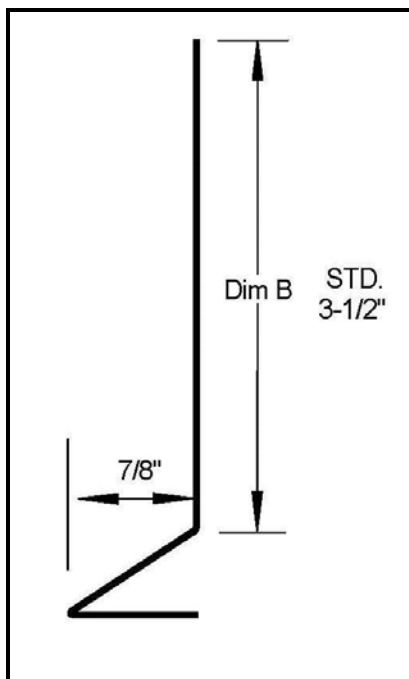
MATERIAL /

THICKNESS: .040 Aluminum, 26 GA Galvanized Steel, 26 GA Stainless Steel and 16 oz. Copper

ASTM: A653, Lfq, C1063, B209, B69

LENGTH: Standard: 10 ft.

STANDARD SIZES: 7/8" ground and 3-1/2" nail flange are standard but custom sizes are available.



BRAND X METALS, INC.

1641 So. Sinclair St. ♦ Anaheim, CA 92806 ♦ PH: 714-978-3600 ♦ FAX: 714-978-3601

www.brandxmetals.com