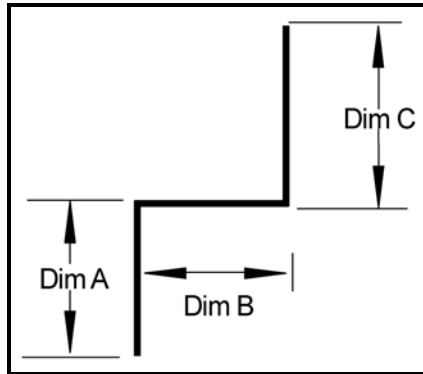




## “Z” ANGLE

**PRODUCT ID: SZT**

Compare to: Z-T, PRM



**DESCRIPTION:** A common shape with multiple uses. Custom sizes and a variety of different metals are available to fit your needs.

**MATERIAL /**

**THICKNESS:** 040 Aluminum, 26 GA Galvanized Steel, 26 GA Stainless Steel

**ASTM:** A653, LFQ, C1063, B209, B69

**LENGTH:** Standard: 10 ft.

**TO ORDER:** DETERMINE THE FOLLOWING:

- Ground Size: (Dim A) and the Width (Dim B)
- Type of Material: Galvanized, Stainless, Anodized Aluminum
- Vented or Non-Vented

**COMMON SIZES:**

DIM. A	DIM. B	DIM. C
1/4"	1/4"	1/4"
1/2"	1/2"	1/2"
5/8"	5/8"	5/8"
3/4"	3/4"	3/4"
7/8"	7/8"	7/8"
1"	1"	1"
1-1/4"	1-1/4"	1-1/4"
1-1/2"	1-1/2"	1-1/2"

Custom sizes are available

**BRAND X METALS, INC.**

1641 So. Sinclair St. ♦ Anaheim, CA 92806 ♦ PH: 714-978-3600 ♦ FAX: 714-978-3601

[www.brandxmetals.com](http://www.brandxmetals.com)