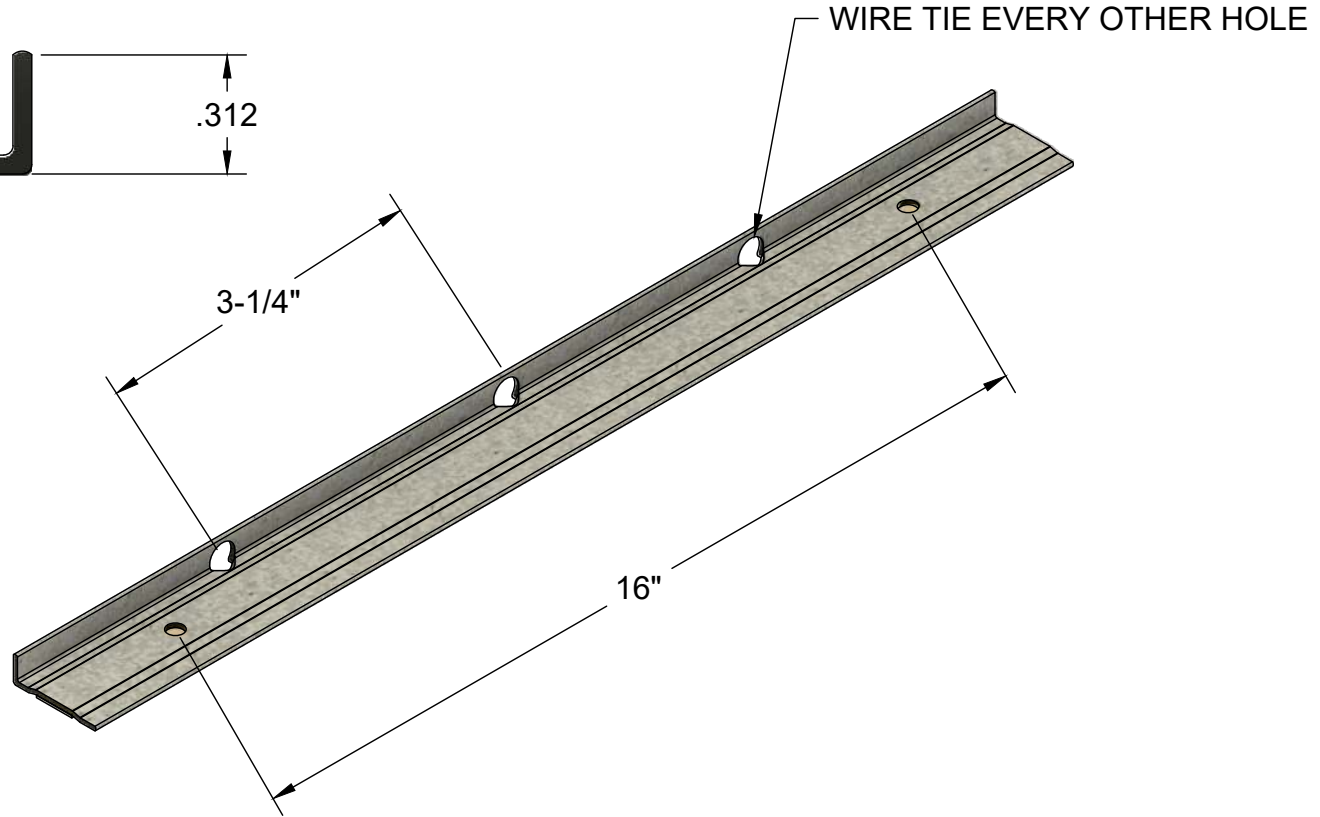
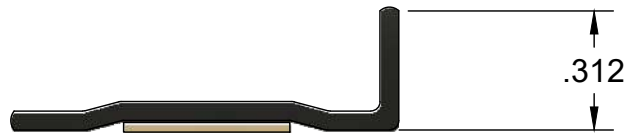


N.T.S



www.brandxmetals.com
1641 S. Sinclair St.
Anaheim CA, 92806
Phone: 714-978-3600
Fax: 714-978-3601

PART ID #	
DF-375	
MATERIAL & FINISH	
18 Gauge Galvanized Steel G60	
LENGTH	THICKNESS
10 FT	

FINISH OPTIONS
FABRICATION OPTIONS

