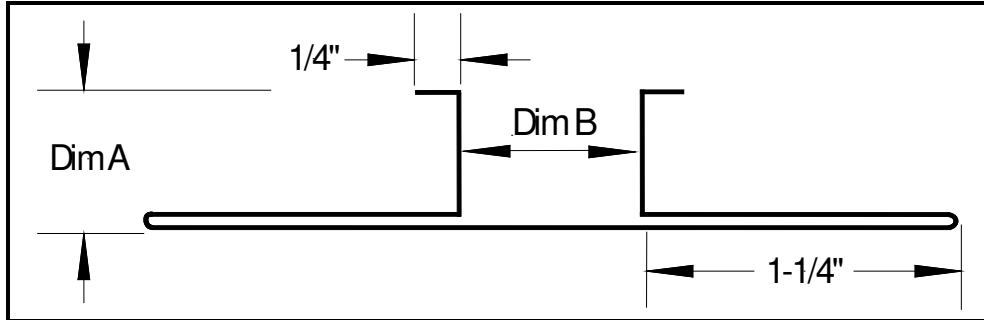




PLASTER CHANNEL SCREED

PRODUCT ID: PCS

Compare to: SNS



DESCRIPTION: One of the most popular plaster expansion screeds. Adds a decorative reveal to break up large surface area of plaster and helps minimize cracking.

MATERIAL /

THICKNESS: .040" Aluminum, 26 GA Galvanized Steel, 26 GA Stainless Steel and 16 oz. Copper

ASTM: A653, LFQ, C1063, B209, B69

LENGTH: Standard: 10 ft.

TO ORDER DETERMINE THE FOLLOWING:

- Ground Size (Dim A) and the Width (Dim B)
- Type of Material: Galvanized, Stainless, Aluminum, Copper

COMMON SIZE OPTIONS:

(DIM A)		(DIM B)
3/8"		3/4"
1/2"		1"
5/8"		1-1/2"
3/4"		2"
7/8"		2-1/2"
1"		3"
1-1/4"		3-1/2"
1-1/2"		4"
		4-1/2"
		5"

Custom sizes also available

BRAND X METALS, INC.

1641 So. Sinclair St. ♦ Anaheim, CA 92806 ♦ PH: (714) 978-3600 ♦ FAX: (714) 978-3601

www.brandxmetals.com