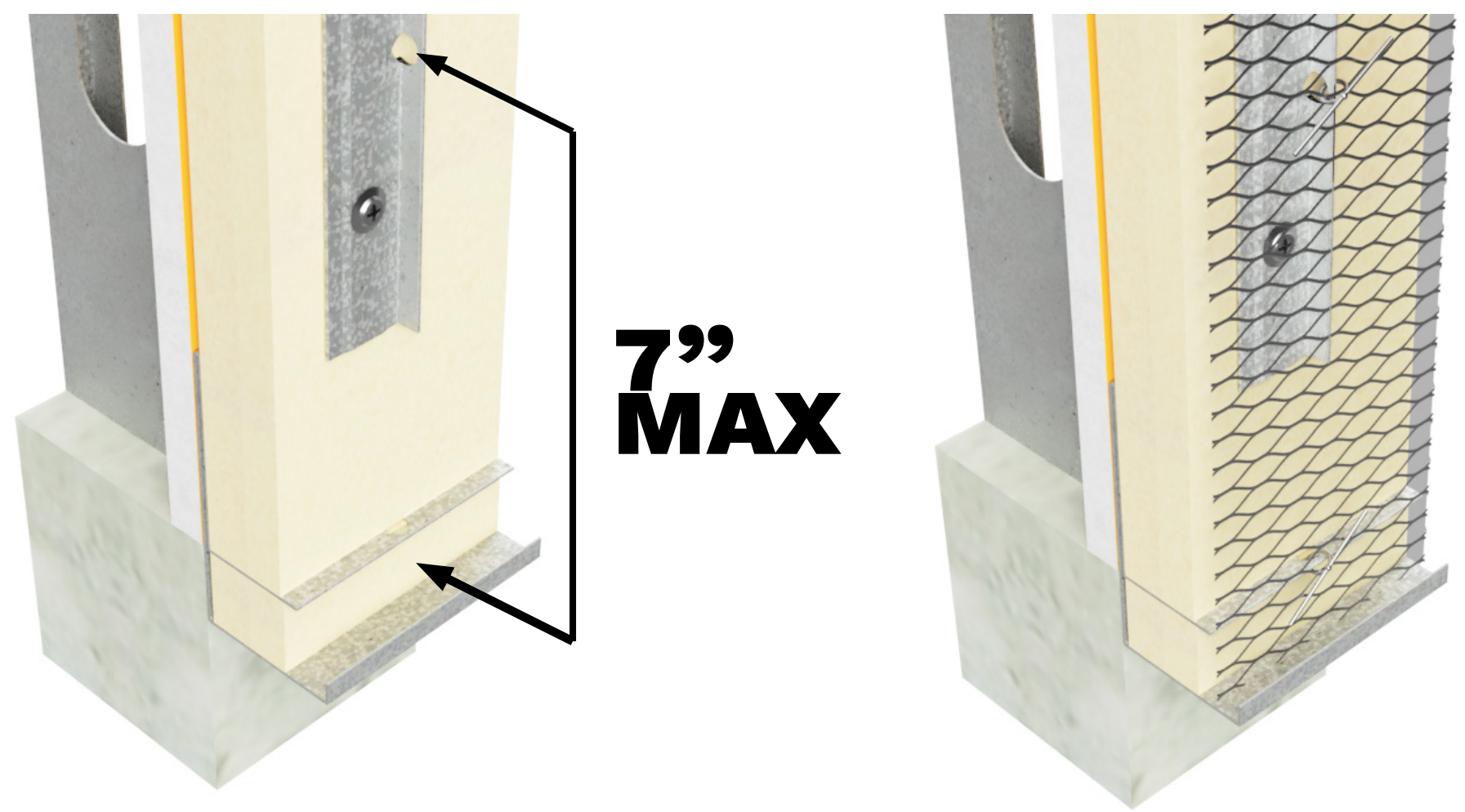
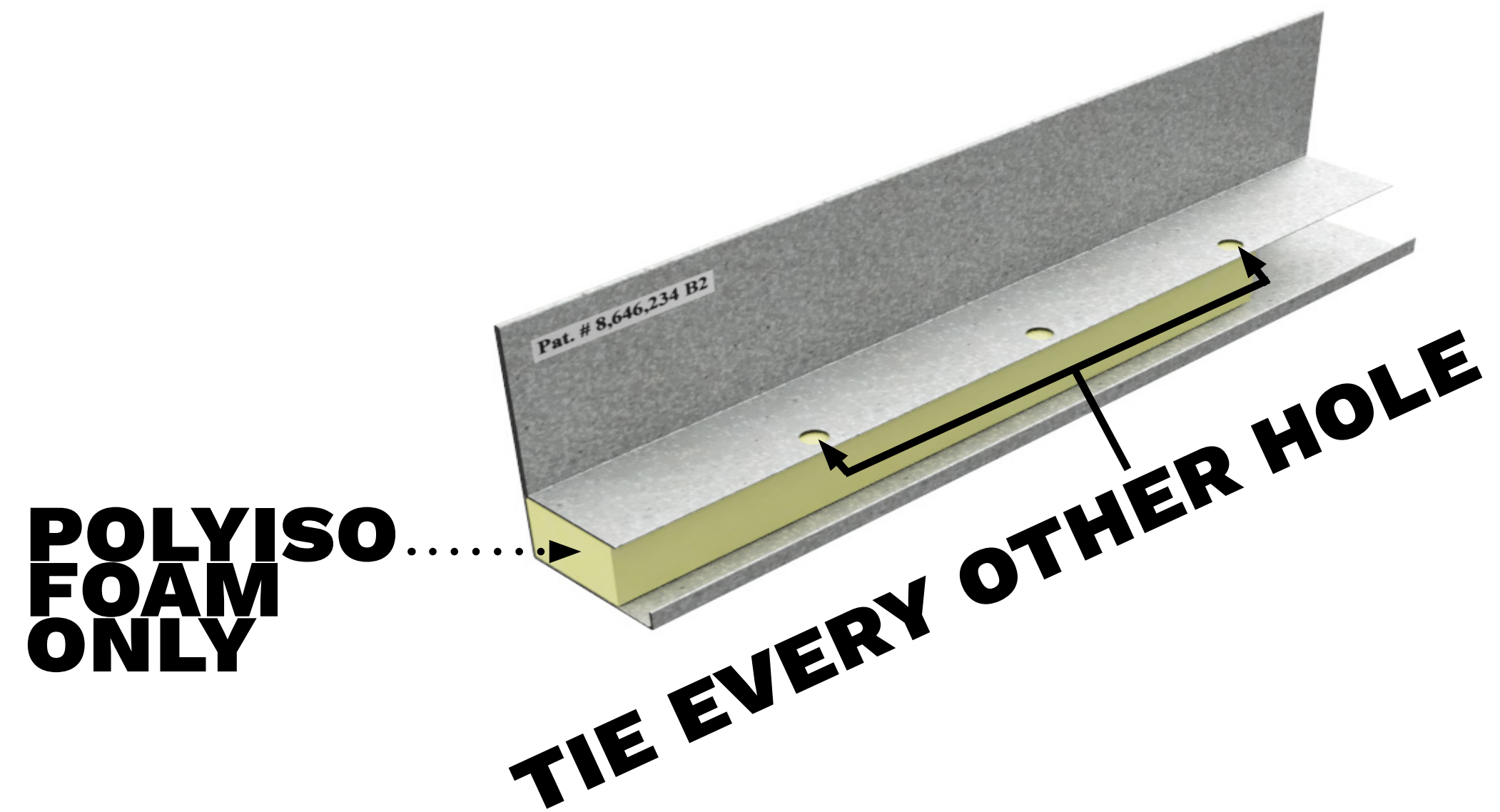
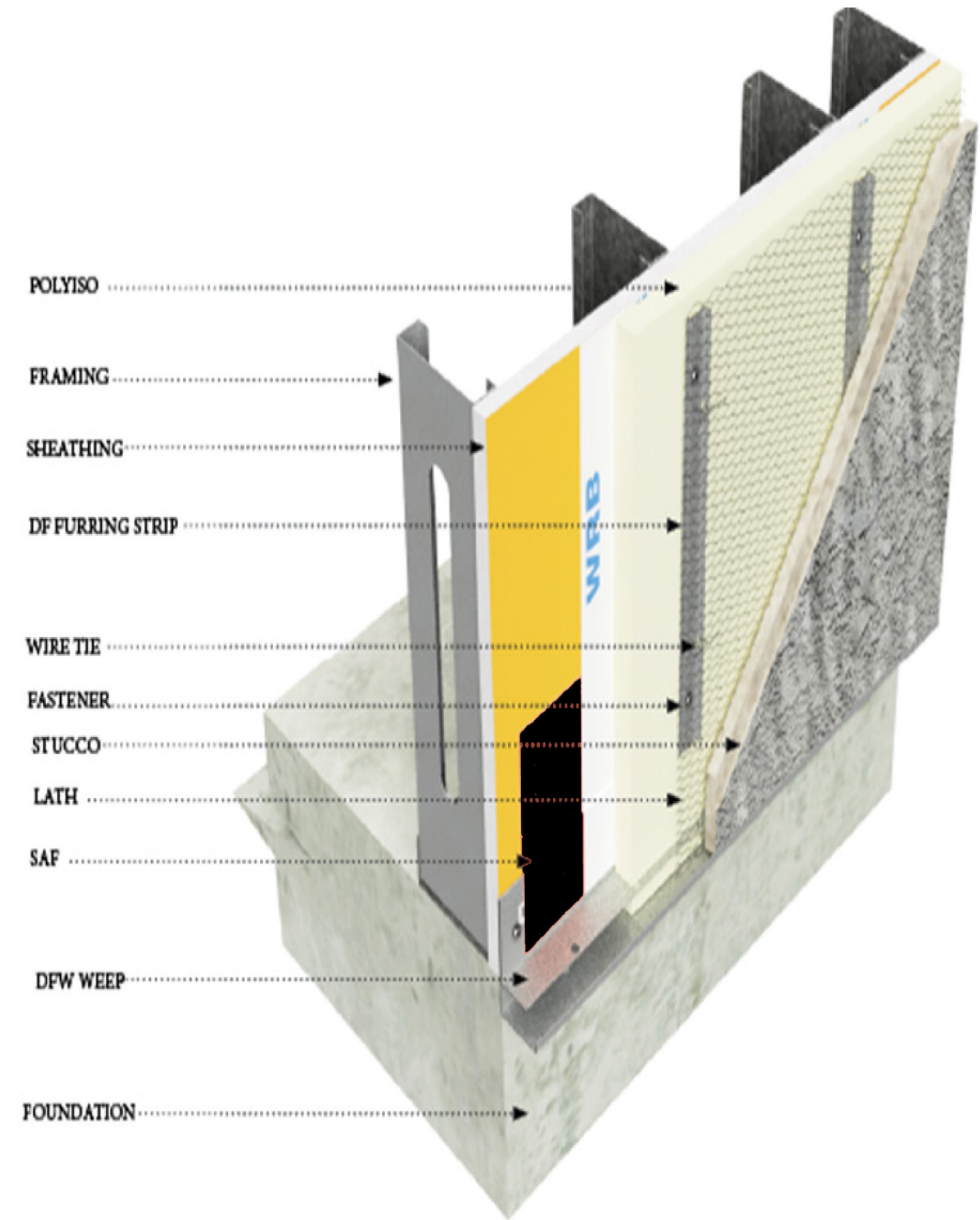


Plaster Weep Overview

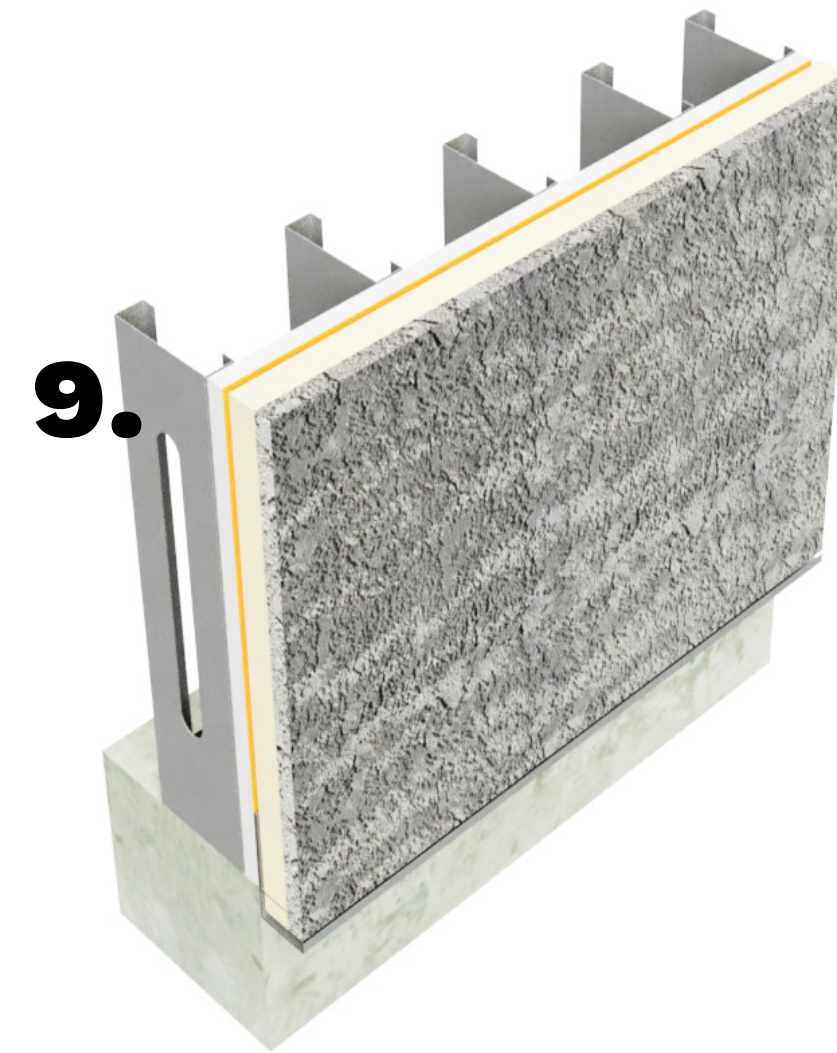
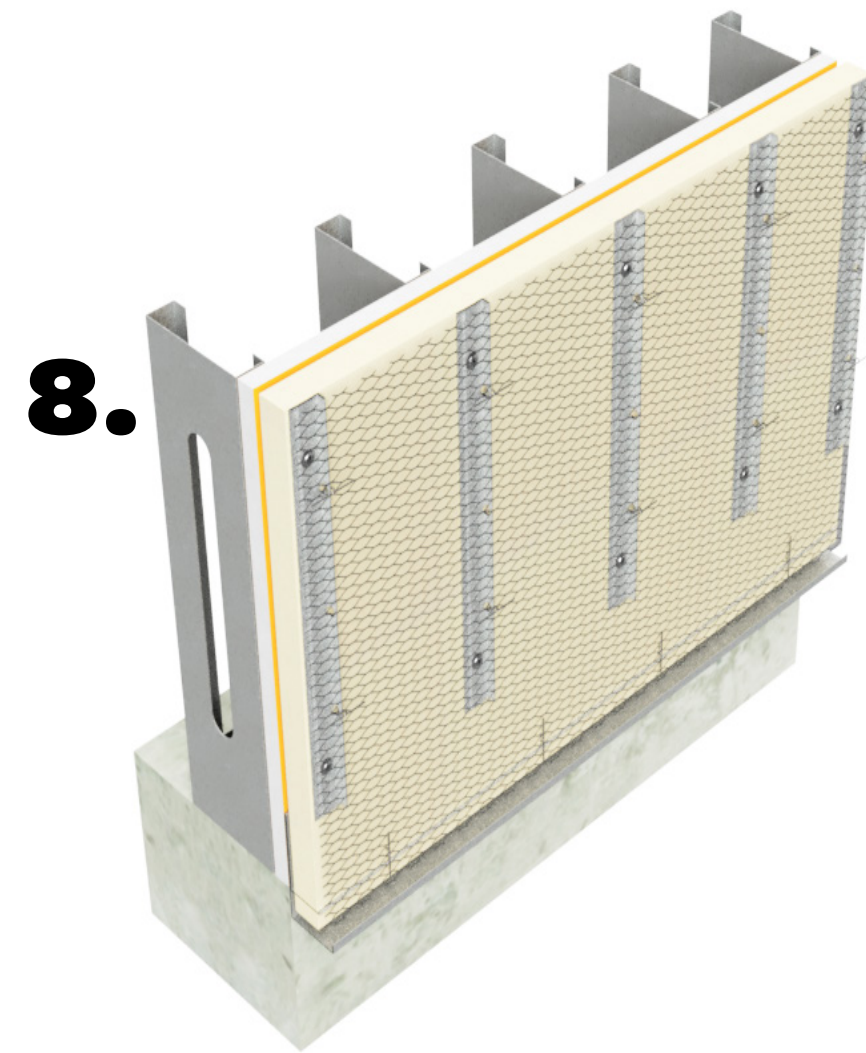
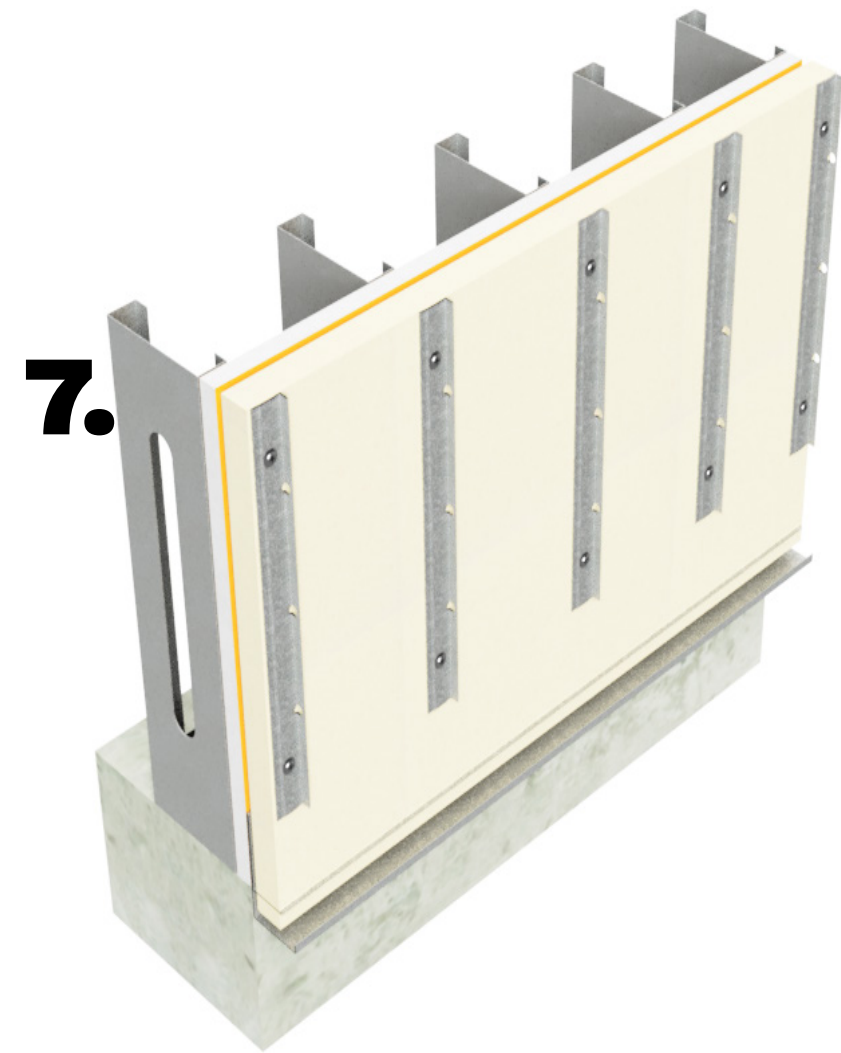
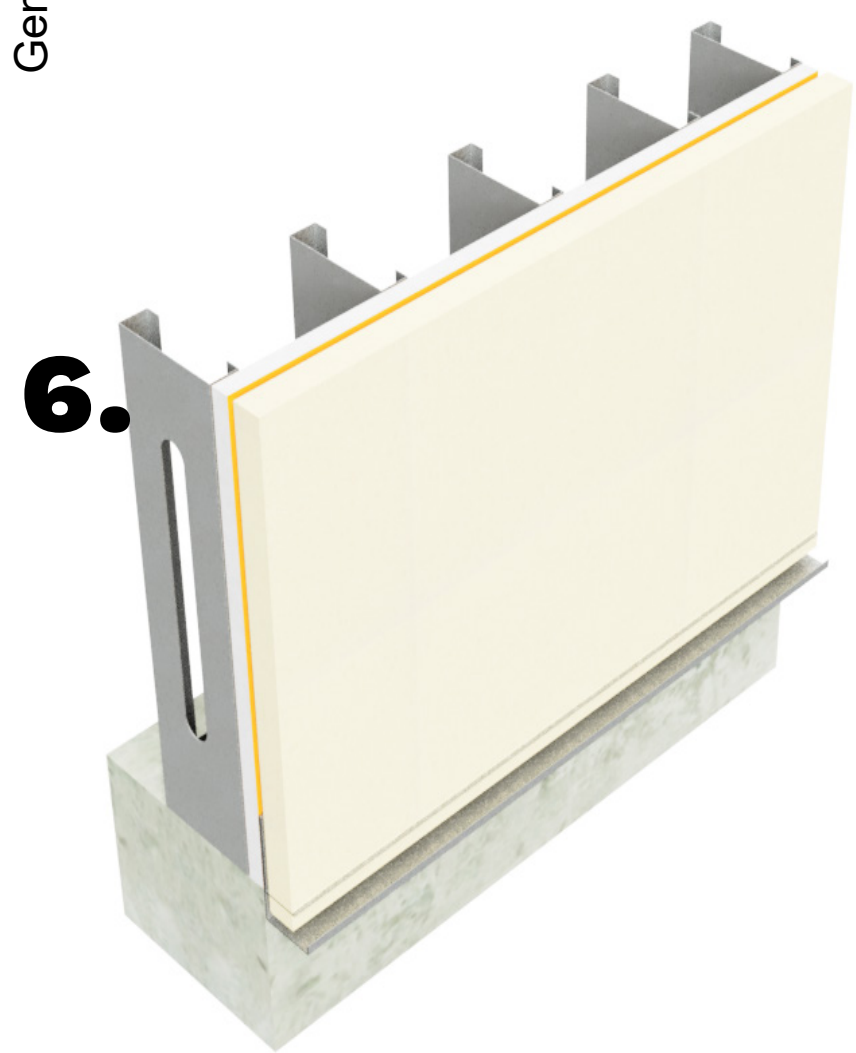
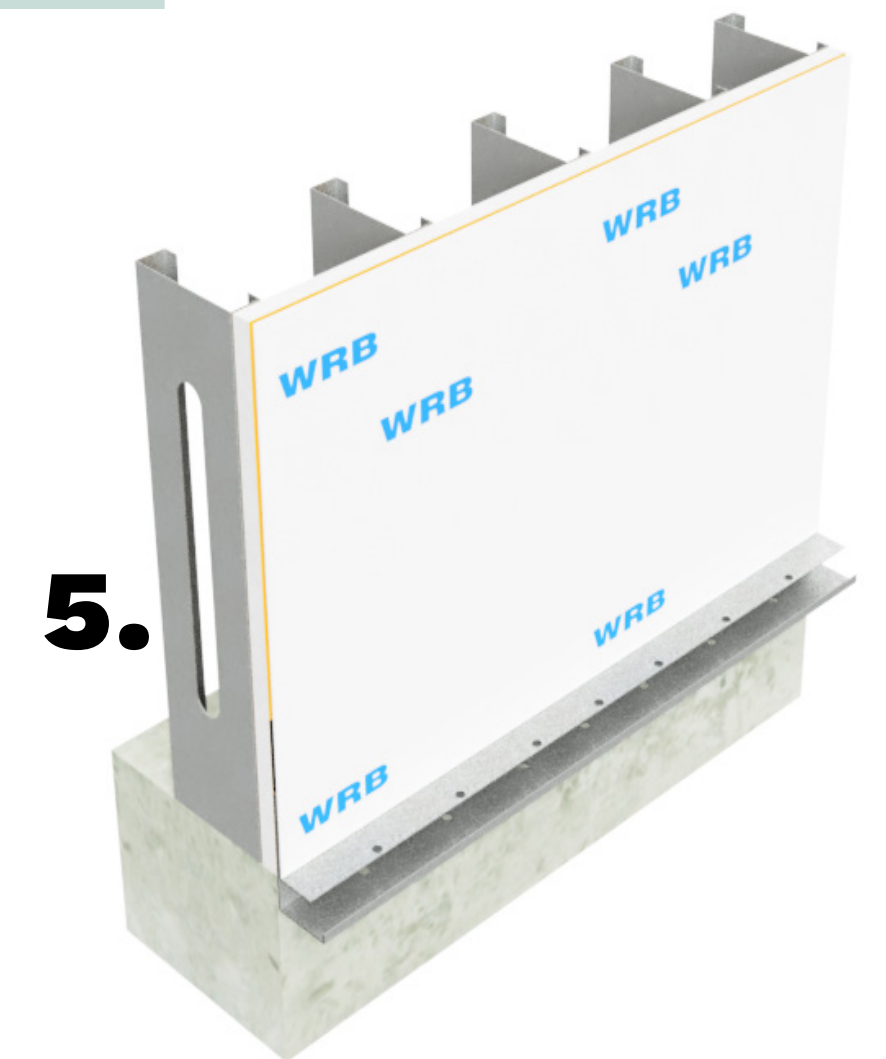
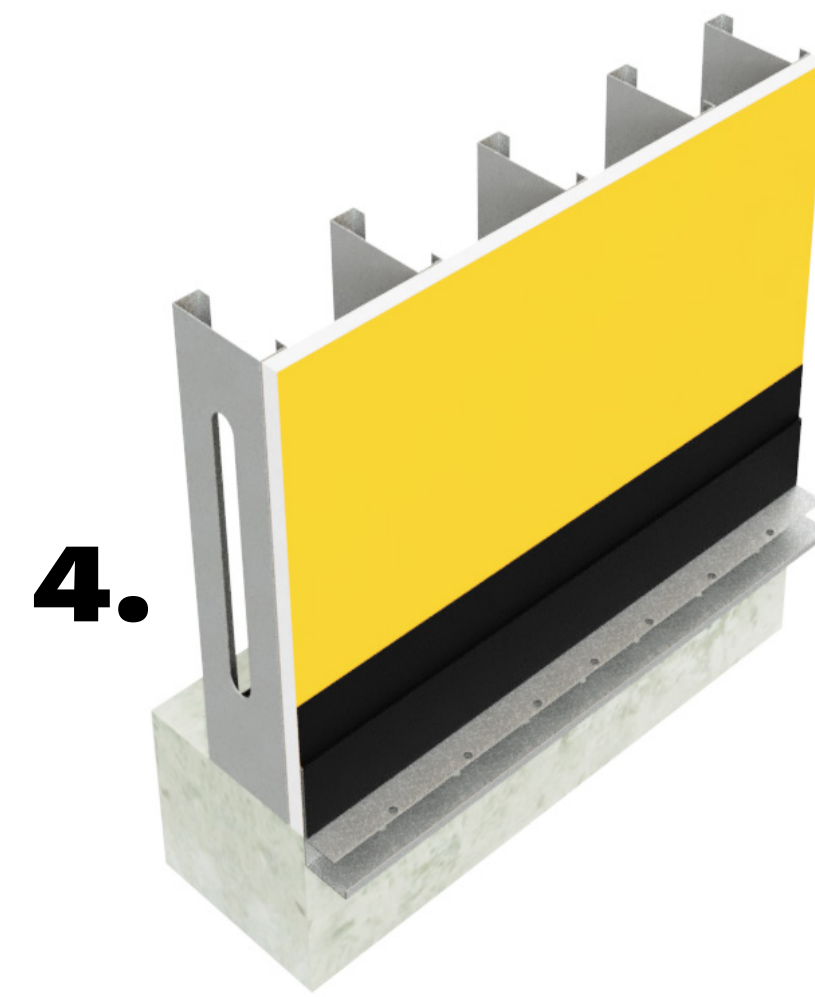
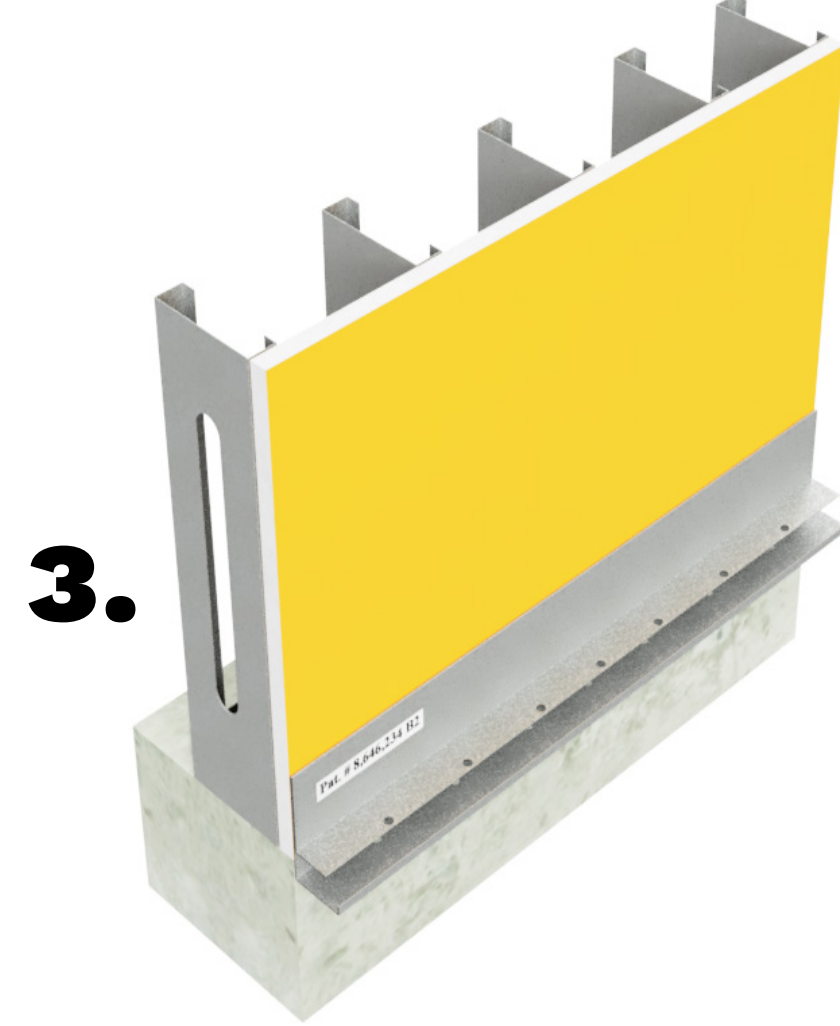
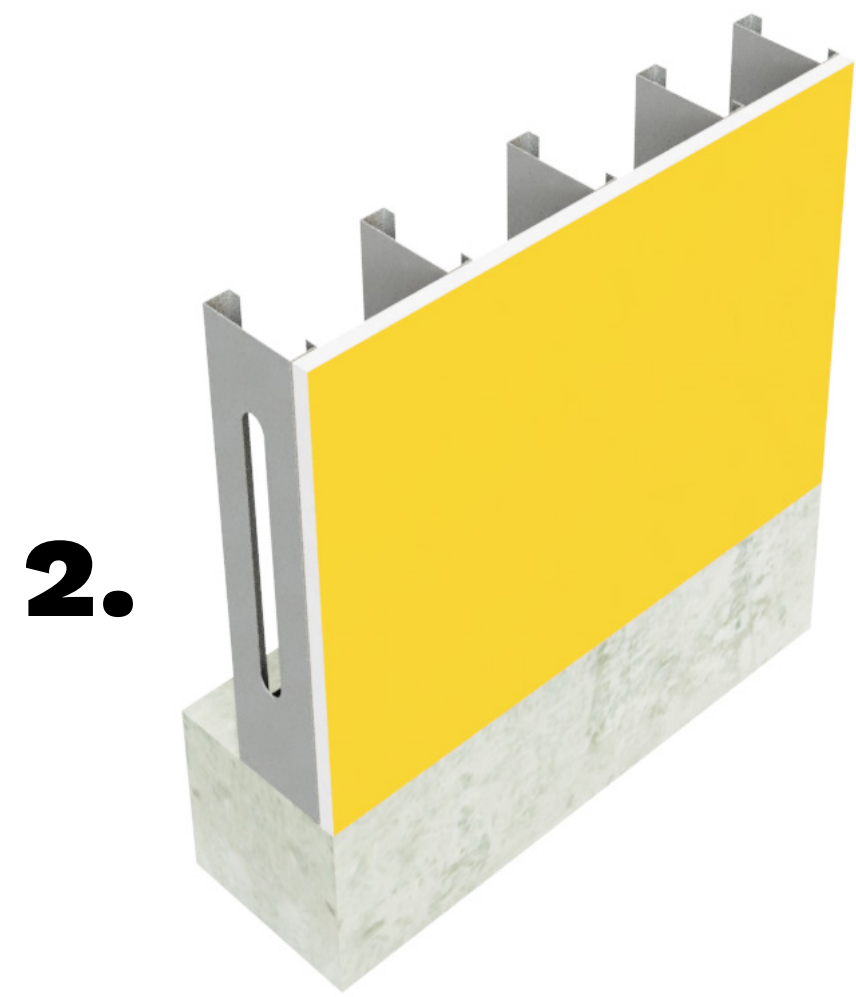
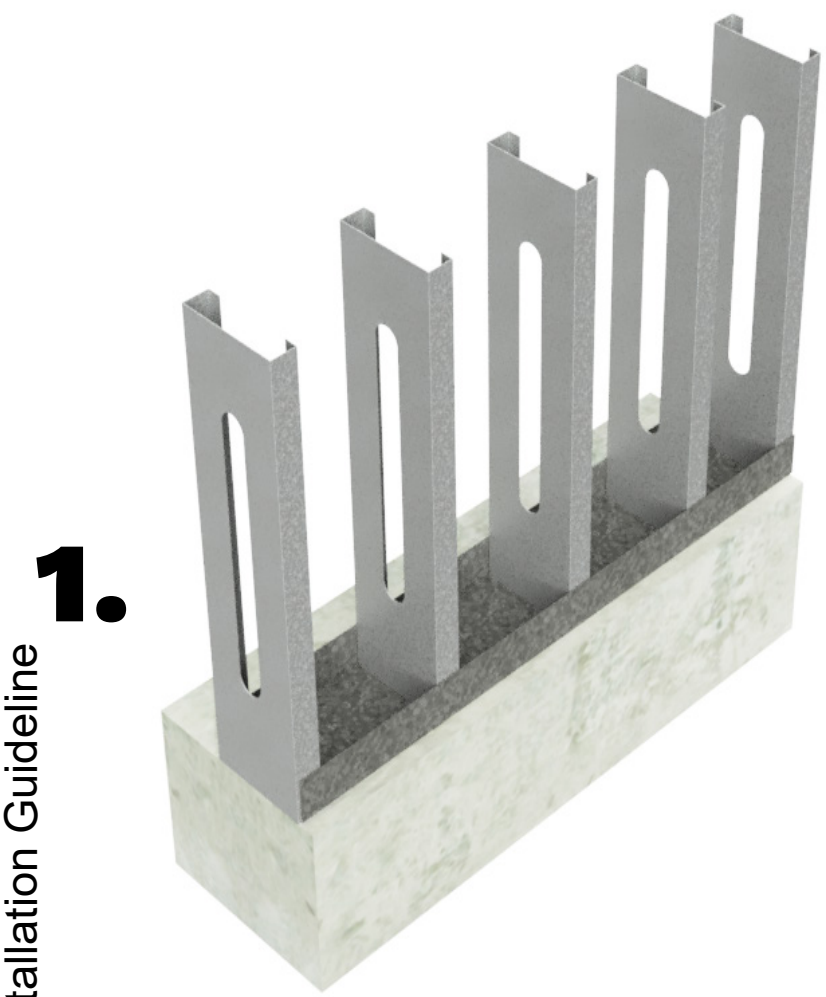
DIAMOND <> FURR TT-4[®]
General Installation Guideline



Wire tie every other hole & install vertical furring strips on every stud. Do not use spray foam.

Plaster Weep Install

DIAMOND <> FURR TT-4®
General Installation Guideline



Plaster Weep Setup

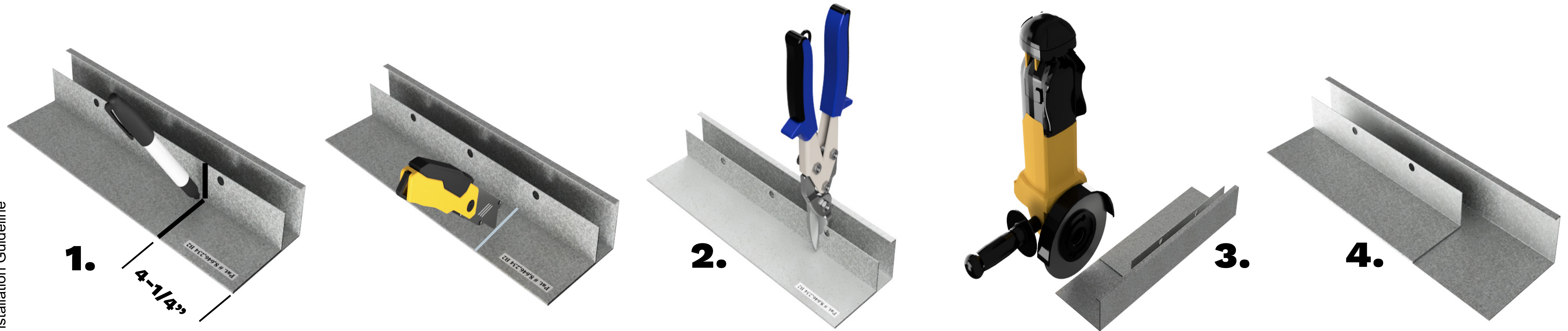
1. Studs.
 2. Fasten sheathing.
 3. Install the weep screed.
 4. Add Self-Adhering Flashing .
 5. Building paper WRB.
 6. Polyiso insulation.
 7. Field Furring Strips.
 8. Metal Lath.
 9. Stucco
- Wire tie the Lath to the trims. From hole to hole the gap shall be no longer than 7" max. 9 Stucco.
Polyurethane or silicone caulking must be used where corners splice together & all butt joints.

Wire tie every other hole & install vertical furring strips on every stud. Do not use spray foam.

Plaster Weep Field Fabrication

DIAMOND <> FURR TT-4®

General Installation Guideline



1.



2.



3.



4.

Plaster Weep Corners

1. Mark the area the is meant to be cut 4-1/4" to allow for extra space.
2. Cut the inter top rail which has the tie off holes.
3. Use a grinder to cut the smashed bend to the marked location.
4. Bend the part back and forth, until the cut flange breaks off. Always fasten the modified part to the wall first. This provides proper insulation flashing against the sheathing. But the complete vertical part the horizontal ly cut part. Once the parts is fastened continue the standard process of the installation

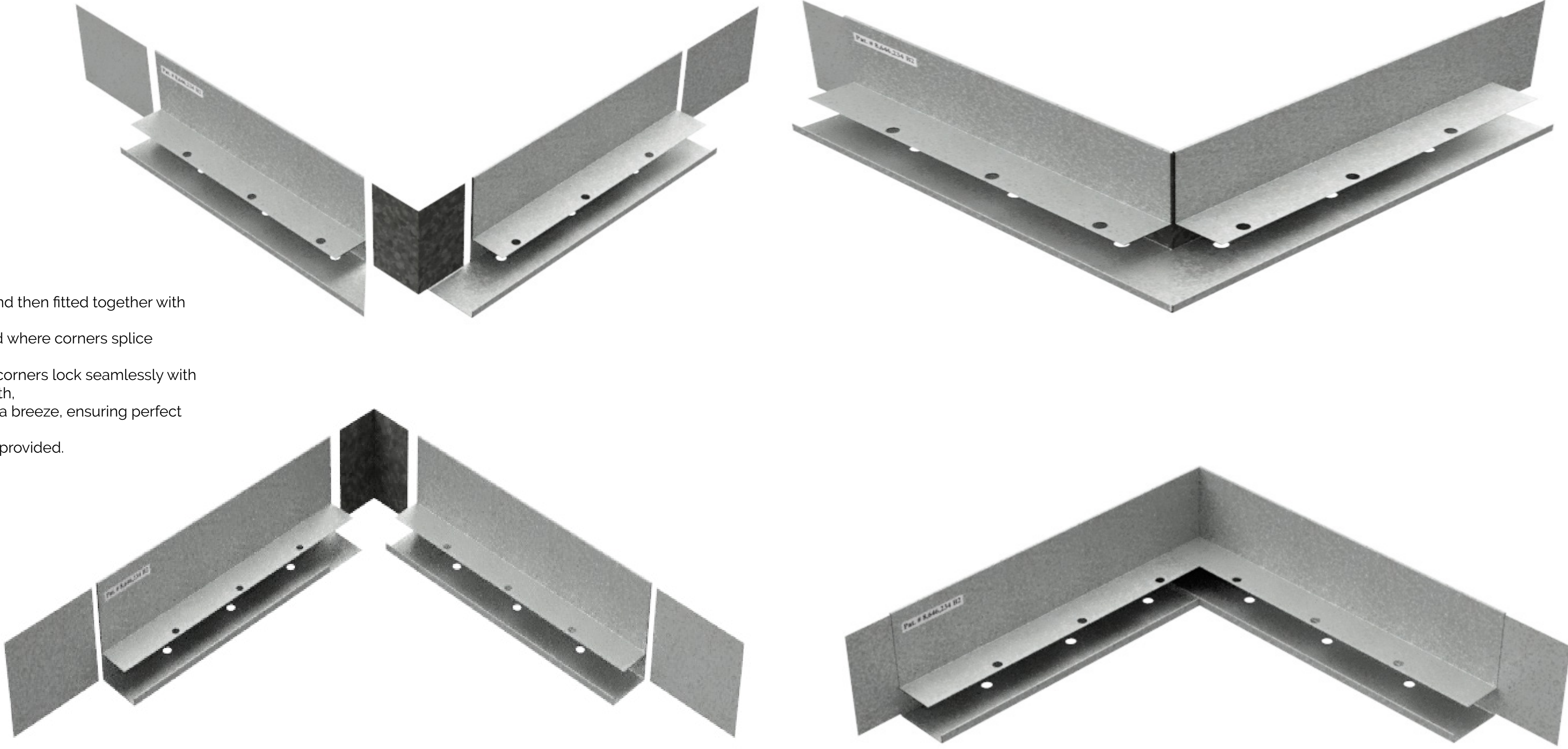
Wire tie every other hole & install vertical furring strips on every stud. Do not use spray foam.

Weep Inside & Outside Corners Overview

DIAMOND <> FURR TT-4[®]
General Installation Guideline

Weep Corner Setup

Inside and outside corners are field miter cut and then fitted together with provided splicing plates. Polyurethane or silicone caulking must be used where corners splice together & all butt joints. Field-cut precise miters on inside and outside corners lock seamlessly with the included 26 Ga galvanized clips for a smooth, unified look. Fabrication clips make installation a breeze, ensuring perfect corners every time. Splicing clips and L angle connection clips are provided.

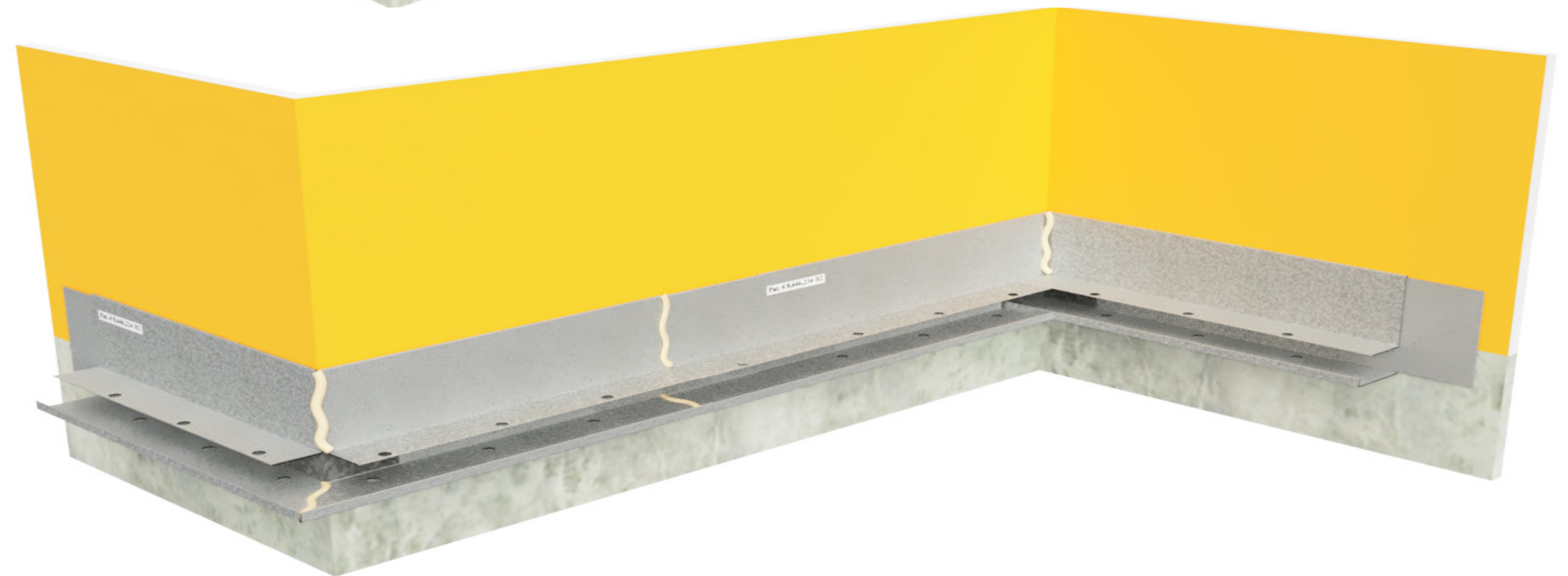


wire tie every other note & install vertical rurring strips on every stud. Do not use spray foam.

Weep Inside & Outside Corners Layout

Weep Corner Setup

Inside and outside corners are field miter cut and then fitted together with provided splicing plates. Polyurethane or silicone caulking must be used where corners splice together & all butt joints. Field-cut precise miters on inside and outside corners lock seamlessly with the included 26 Ga galvanized clips for a smooth, unified look. Fabrication clips make installation a breeze, ensuring perfect corners every time. Splicing clips and L angle connection clips are provided.



Wire tie every other hole & install vertical furring strips on every stud. Do not use spray foam.