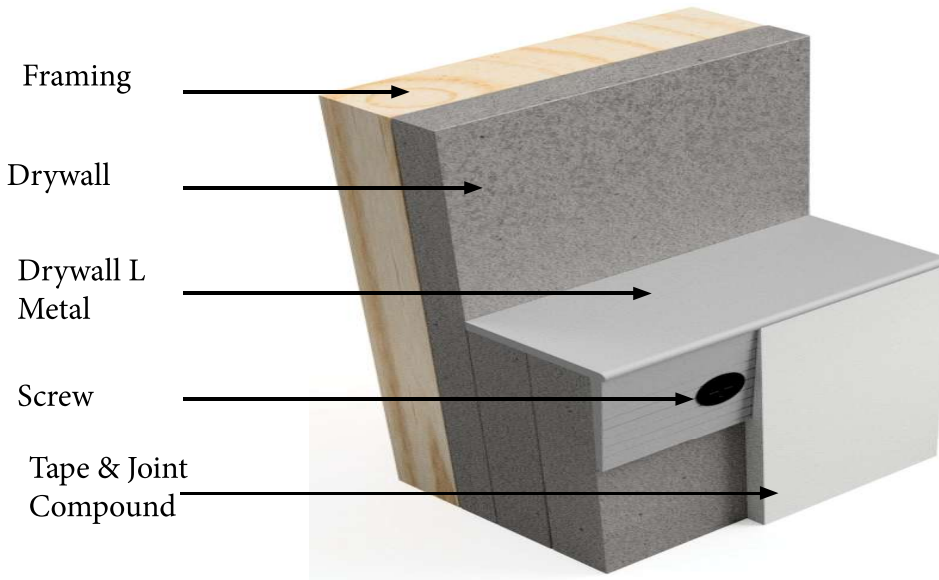


DRYWALL L METAL OVERVIEW



Framing

Drywall

Drywall L Metal

Screw

Tape & Joint Compound

DESCRIPTION

Extruded Aluminum Drywall L Metal with tapered nail flanges. The DL trim can be installed both vertically and horizontally to create a dramatic look on interior walls. The tapered nailing flanges allow for applying tape and joint compound to create a clean finished edge.

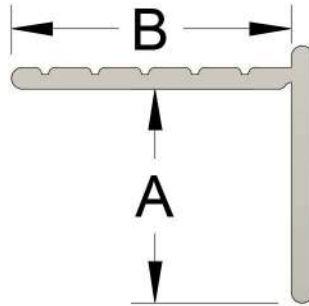
MATERIAL

MATERIAL: Aluminum Alloy 6063  
 T5 ASTM: B221  
 THICKNESS: Nominal .050  
 LENGTH: Standard 10 ft.  
 FINISH: Standard-Clear anodized Architectural 200R1 Medium Etch AAM32C10A21  
 Also available: 'Mill Finish' for field painting and custom anodized colors.

OPTIONS

Radius – Drywall L Metal can be curved to meet your required job specifications (Radius Order Form)

DRYWALL L METAL ID CHART

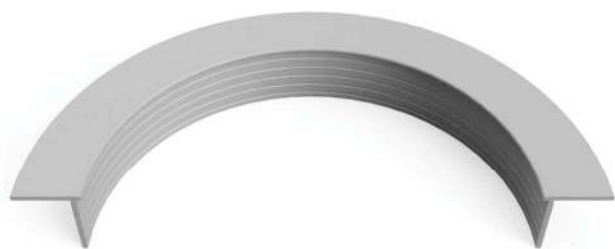


ID	DIM A	DIM B
DL 25	1/4"	3/4"
DL 375	3/8"	3/4"
DL 50	1/2"	3/4"
DL 625	5/8"	3/4"
DL 75	3/4"	3/4"
DL 100	1"	3/4"
DL 125	1 1/4"	3/4"
DL 150	1 1/2"	3/4"
DL 175	1 3/4"	3/4"
DL 200	2"	1-1/2"
DL 250	2-1/2"	1-1/2"
DL 300	3"	1-1/2"
DL 350	3-1/2"	1-1/2"
DL 400	4"	1-1/2"

DRYWALL L METAL RADIUS/CURVING

Brand X Metals, Inc. has in-house capabilities to curve interior and exterior trims for your job specifications.  
L metal can be curved in all four directions.

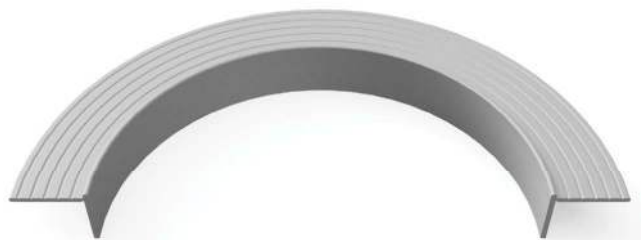
TYPE-1



TYPE-2



TYPE-3



TYPE-4

